

FREESTANDING COOKERS

FS9010CER 90CM FREESTANDING ELECTRIC COOKER



EAN 8017709222499

Dimensions	900mmW x 885-915mmH x 600mmD
Finish	Stainless steel, Stopsol reflective glass
Installation	Freestanding
Display	No

Main oven

Capacity	126L
Total functions	6
Door glass	Triple glazed door
Cooking levels	5
Thermostat	50-260°C
Programmability	Countdown timer
Cleaning	Vapour Clean
Lighting	2 x 40W halogen
Safety	Thermal protection
Supplied accessories	1 x Chrome wire shelf 1 x Chrome grill insert 1 x 40mm enamelled baking tray
Optional accessories	GT1P-2 - Partial telescopic guides GT1T-2 - Total telescopic guides
Power	220-240V, 50/60Hz 11.8kW 50A
Warranty	Two years parts and labour



THERMOSEAL

The seal of Smeg's quality, technical excellence and taste: succulent roasts, crisp pastry and impressive baking is achieved in Smeg's unique, perfectly controlled cooking environment. Thermoseal maintains the perfect atmospheric balance in the cavity for optimum cooking conditions.



EVER CLEAN ENAMEL

The superior quality of Smeg's patented Ever Clean enamel, which is highly durable and easy to clean, is the result of nearly 70 years of enameling expertise; ensuring long-life performance of every Smeg oven.



VAPOUR CLEAN

Smeg's Ever Clean enamel's tough surface has a glassy finish, so a simple spray of water and detergent around the cavity in conjunction with the Vapour Clean option will generate heat and steam to soften any grease for a wipe-clean result.

Electric Hob

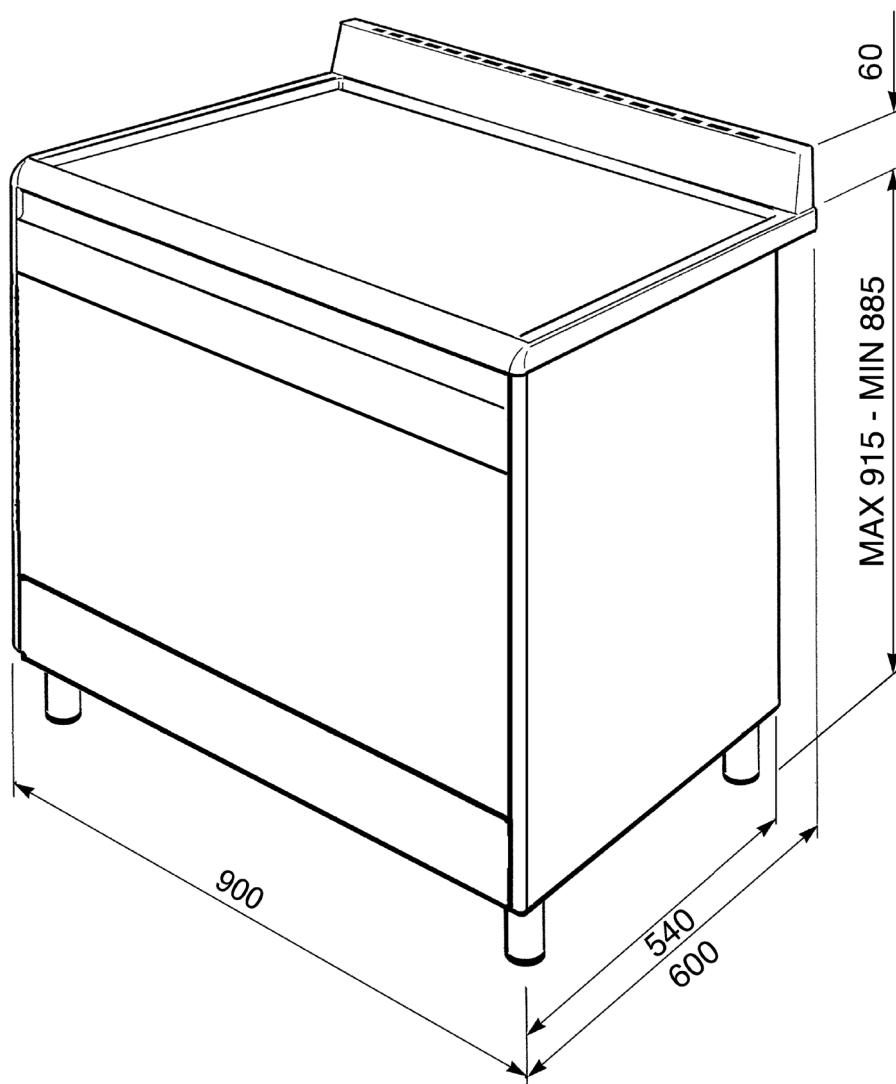
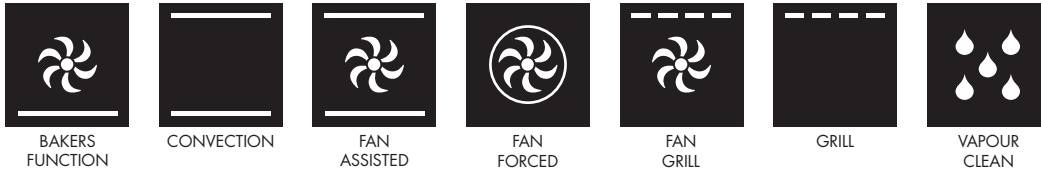
Capacity	5 zones Front left 147mm 1300W Rear left 212mm 2300W Centre 265mm 2300W Front right 147mm 2300W Rear right 197mm 1300W
Safety	Residual heat indicator
Supplied accessories	1 x Metal scraper

ID181122

FREESTANDING COOKERS

FS9010CER
90CM FREESTANDING ELECTRIC COOKER

Functions



PLEASE NOTE: drawings are not to scale. They are to assist only.
 WARNING: technical specifications and product sizes can be varied by the manufacturer without notice.
 Cutouts for appliances should only be by physical product measurements. The above information is indicative only.

ID181122